

# SPECIFICATION

受 控

Customer : QUARTZ

Applied To :

Product Name : Magnetic Transducer

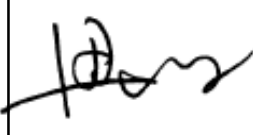

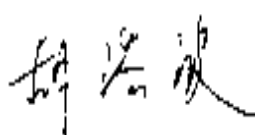
Model Name : DRP9650-5-3.2

Drawing No. : OEM2259R

Compliance with RoHS(本品符合ROHS指令)

Signature of Approval

Signature of KEPO

Approved by	Checked by	Issued by	Date
			2012.06.08

宁波凯普电子有限公司



Ningbo Kepo Electronics Co.,Ltd.

宁波东钱湖镇东钱湖工业区宝源路 25 号

TEL:+86-574-88370330 FAX:+86-574-88370329

No.25 Baoyuan road Dongqian Lake, Industry Area, Dongqian town, Ningbo City, China(Post Code:315121)

[Sales@chinaacoustic.com](mailto:Sales@chinaacoustic.com) [www.chinaacoustic.com](http://www.chinaacoustic.com)

Specification for Magnetic Transducer		Page	2/10
Model No. :                      DRP9650-5-3.2		Revision No.	1.1
		Drawing No.	OEM2259R

## CONTENTS

1. Scope  
范围
2. General  
概要
3. Electrical and Acoustic Characteristics.  
电声参数
4. Reliability Test  
可靠性试验
5. Measurement Block Diagram & Response curve  
测试图和曲线图
6. Structure  
结构
7. Dimensions  
尺寸
8. Packing  
包装
9. Revision  
履历表

Specification for Magnetic Transducer		Page	3/10
		Revision No.	1.1
Model No. :	DRP9650-5-3.2	Drawing No.	OEM2259R

## 1. Scope

This product specification is applied to the Magnetic Transducer in alarm systems. Please contact us when using this product for any other applications than described in the above.

本规格书适用于电磁式声响器，通常它用在系统中做报警或提示的声响器用，如果将该产品用于其它领域，请与我们联系。

## 2. General

2.1 Out-Diameter : Ø9.6 mm

外径: Ø9.6 mm

2.2 Height : 5.0 mm

高度: 5.0 mm

2.3 Weight : 1g

重量: 1克

2.4 Operating Temperature range:

-20~+70°C without loss of function

工作温度: -20~+70°C

Store Temperature range:

-30~+80°C without loss of function

储藏温度: -30~+80°C

## 3. Electrical and Acoustic Characteristics.

Test condition : 15 ~ 35 °C , 25% ~ 85% RH, 860~1060 mbar

测试条件: 15~35 °C , 25%~85%RH , 860~1060mbar

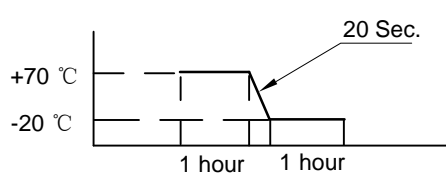
	Items 项目	Specification 规格
1	Rated Voltage 额定电压	5V
2	Operating Voltage 工作电压	3~7V
3	Max.Rated Current 额定电流	50mA / 5V
4	Resonant Frequency 谐振频率	3200Hz
5	Min.Sound Pressure Level 额定声压	85dB/5V/3200Hz/10cm
6	Coil Resistance 直流阻抗	40± 5 Ω
7	Coil Impedance 交流阻抗	80 Ω
8	Case Material/Color 壳体材质/颜色	MPPO/BLACK

Specification for Magnetic Transducer		Page	4/10
Model No. :                      DRP9650-5-3.2		Revision No.	1.1
		Drawing No.	OEM2259R

## 4. Reliability Test

After test(1~8item), the transducer S.P.L . difference shall be within  $\pm 10\text{dB}$ , and the appearance not exist any change to be harmful to normal operation(e.g.cracks,rusts,damages and especially distortion).

在1-8项试验后，声响器的声压变化值在  $\pm 10\text{dB}$ 之内，外观无变化（例如：开裂、生锈、损伤、变形等现象）。

	Item	Specification
1	High Temperature Test 高温试验	<p>After being woked in a chamber with <math>+70\pm 2\text{ }^\circ\text{C}</math> for 2h and then being placed in natural condition for 2h, sounder shall be measured.</p> <p>将产品置于 <math>+70\pm 2\text{ }^\circ\text{C}</math> 试验箱中，先工作 2小时，然后在正常大气压条件下恢复2小时后，进行测量</p>
2	Low Temperature Test 低温试验	<p>First being worked in a chamber with <math>-20\pm 2\text{ }^\circ\text{C}</math> for 2h and then being placed in a chamber with <math>-20\pm 2\text{ }^\circ\text{C}</math> for 16h, finally being placed in natural condtion for 2h, sounder shall be measured.</p> <p>将产品置于 <math>-20\pm 2\text{ }^\circ\text{C}</math> 试验箱中，先工作 2小时，再放置16小时，然后在正常大气压条件下恢复2小时后，进行测量</p>
3	Humidity Test 潮湿试验	<p>After being placed in a chamber with 90 to 95%R.H. at <math>+40\pm 2\text{ }^\circ\text{C}</math> for 2 h and then being placed in natural condition for 2h , sounder shall be measured.</p> <p>将产品置于湿度为 90~95%R.H，温度为<math>40\pm 2\text{ }^\circ\text{C}</math>试验箱中 2小时，然后在正常大气压条件下恢复2小时后，进行测量</p>
4	Thermal Shock Test 热冲击试验	<p>After being worked in a chamber at <math>+70\text{ }^\circ\text{C}</math> for 1 hour, then sounder shall be placed in a chamber at <math>-20\text{ }^\circ\text{C}</math> for 1 hour(1 cycle is the below diagram).</p> <p>After 6 above cycles, sounder shall be measured after being placed in natural condition for 1 hour.</p> <p>将产品置于<math>+70\pm 2\text{ }^\circ\text{C}</math>试验箱中，先工作1小时，然后将产品置于<math>-20\pm 2\text{ }^\circ\text{C}</math>试验箱中，再工作1小时，经过6个循环后，在正常大气压条件下恢复1小时，进行测量</p> 

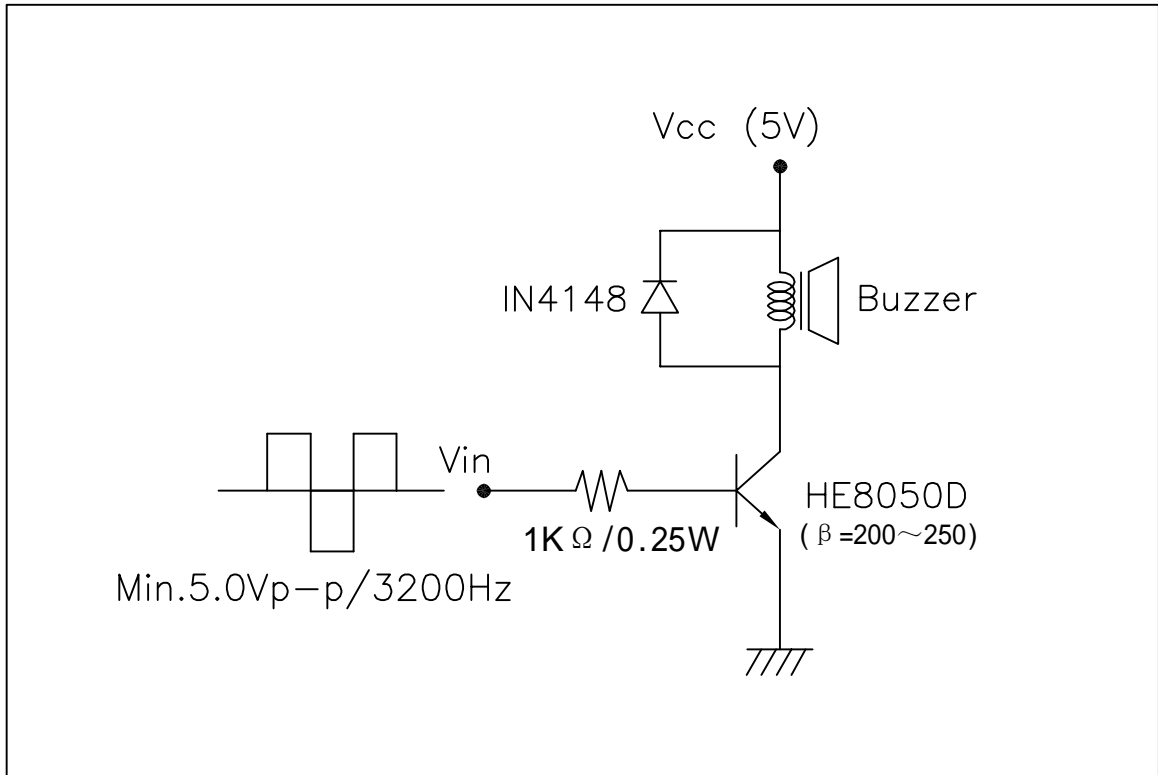
Specification for Magnetic Transducer		Page	5/10
Model No. :                      DRP9650-5-3.2		Revision No.	1.1
		Drawing No.	OEM2259R

#### 4. Reliability Test

	Item	Specification
5	Vibration Resistance 振动试验	<p>Sounder shall be measured after being applied vibration of amplitude of 1.5mm with 10 to 30Hz band of vibration frequency to each of 3 perpendicular directions for 2 hour.</p> <p>振幅为1.5mm，频率为10~30Hz，三个不同轴方向各振动2小时，试验后进行测量。</p>
6	Drop Test 跌落试验	<p>Sounder packed in the carton are dropped in six direction from the height of 80cm to the concrete floor.</p> <p>跌落高度80cm,6个不同方向整箱跌落到水泥地，试验后进行测量。</p>
7	Solderability 可焊性试验	<p>Lead terminals are immersed in rosin for 5 seconds and then immersed in solder bath of <math>+260\pm 5^{\circ}</math> C for <math>3\pm 0.5</math> seconds.</p> <p>插针浸入松香5秒，然后再浸入<math>+260\pm 5^{\circ}</math> C的锡炉中<math>3\pm 0.5</math>秒，插针表面应覆盖一层光滑明亮的焊料。</p>
8	Terminal Strength Pulling 插针强度试验	<p>The force 10 seconds of 9.8N is applied go each terminal in axial direction.</p> <p>插针应承受9.8N拉力，拉力时间10秒，插针无松动和脱落等现象。</p>

Specification for Magnetic Transducer	Page	6/10
	Revision No.	1.1
	Drawing No.	OEM2259R
Model No. :	DRP9650-5-3.2	

## 5. Measurement Block Diagram & Response curve



06/06/2012 16:14

CRY6125F 蜂鸣器测试仪 V91

无框 滤波器无

型号: DAPG9650-5

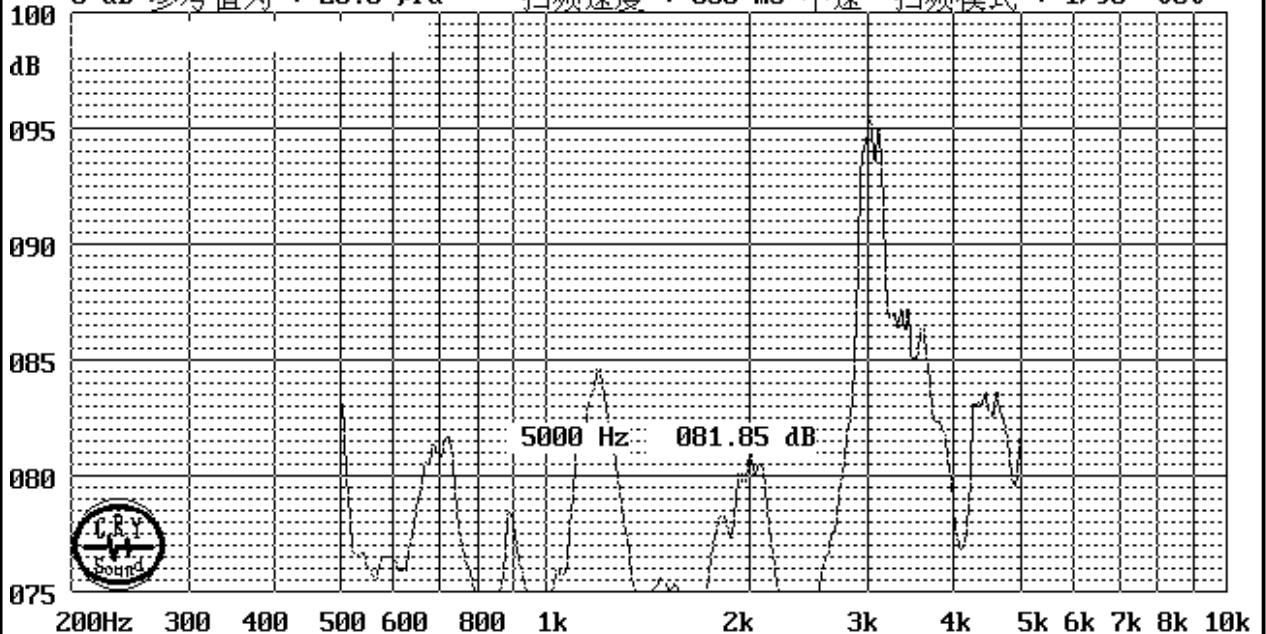
Fc = 3193 Hz 087.21 dB

正向方波

电压: 5000 mV

Fo = 3000 Hz 095.38 dB

0 dB 参考值为: 20.0 μPa 扫频速度: 030 ms 中速 扫频模式: 1/96 Oct



Specification for Magnetic Transducer		Page	7/10
Model No. :                      DRP9650-5-3.2		Revision No.	1.1
		Drawing No.	OEM2259R

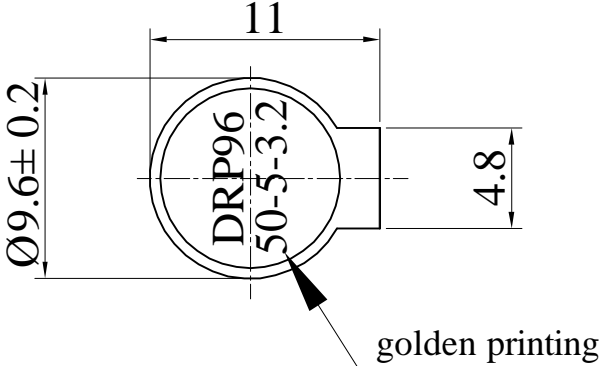
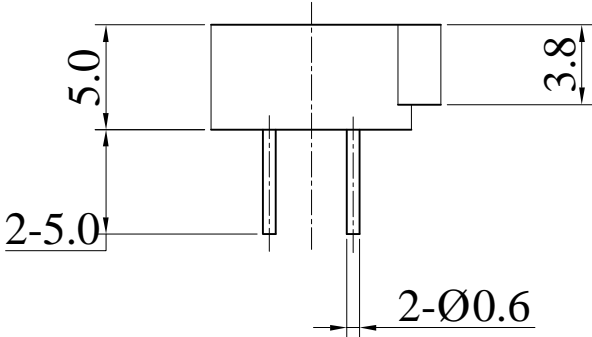
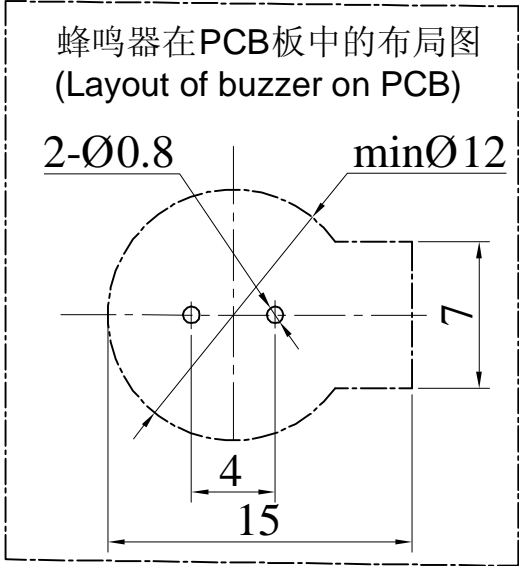
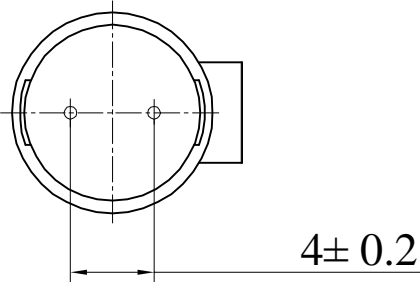
## 6. Structure



7	Cu 铜套	1	Cu	
6	Case 壳体	1	PBT	SH415360/CHEM(D)
5	T Core T铁	1	Fe	SH415361/CHEM(D)
4	Coil 线圈	1	QANR	SH437207/CHEM(NO.2)
3	Magnetic ring 磁环	1	—	2083631/LD(1)
2	PCB 印制板	1	—	CH411778-1/CHEM(A)
1	Diaphragm 膜片	1	—	SH415361/CHEM(B)
No.	Part Name 型号	数量 Q'TY	Material 材质	ROHS 环保

Specification for Magnetic Transducer	Page	8/10
	Revision No.	1.1
Model No. :                      DRP9650-5-3.2	Drawing No.	OEM2259R

7. Dimensions



FIRST ANGLE PROJECTION

UNIT : mm  
Tolerance : ±0.5



Specification for Magnetic Transducer	Page	9/10
	Revision No.	1.1
Model No. :                      DRP9650-5-3.2	Drawing No.	OEM2259R

## 8. Packing



Picture2 6000PCS

QTY: 6000Pcs  
425 x400 x315

Specification for Magnetic Transducer		Page	10/10
		Revision No.	1.1
Model No. :	DRP9650-5-3.2	Drawing No.	OEM2259R

## 9. Revision

Rev. No.	DATE	PAGE	DESCRIPTION	SIGN
1.1	2012.06.08	10	primary	